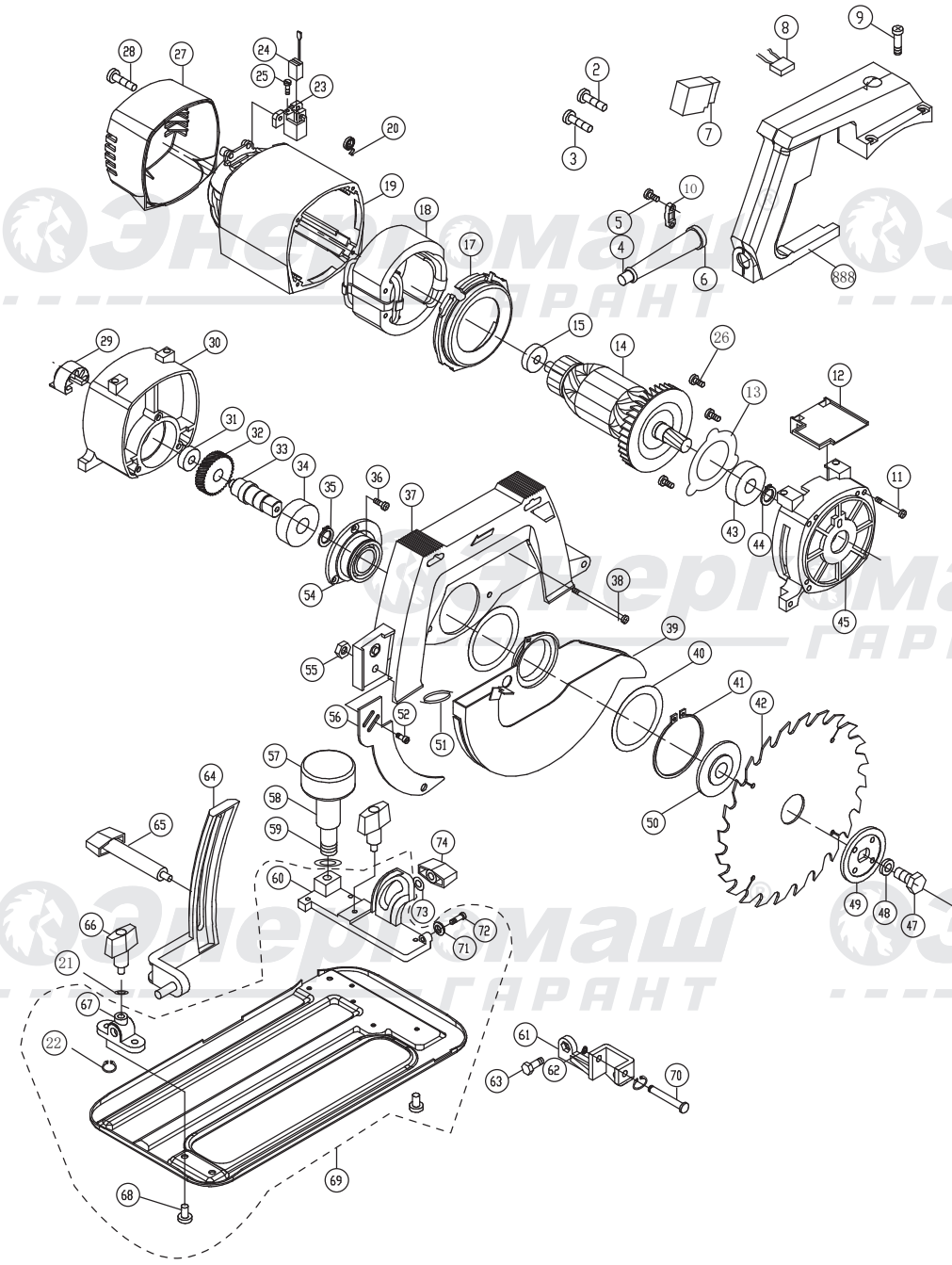


ЦП1-200



NO.	DESCRIPTION	NO.	DESCRIPTION
2	SCREW	39	MOVING GUARD
3	SCREW	40	WASHER
4	CORD&PLUG	41	CIRCLIP
5	SCREW	42	BLADE
6	CORD SLEEVE	43	BEARING 6201
7	SWITCH	44	CIRCLIP
8	CAPACITOR	45	MIDDLE COVER
9	SCREW	47	HEX BOLT
10	CABLE CLAMP	48	WASHER
11	SCREW	49	OUTER FLANGE
12	COVER	50	INNER FLANGE
13	BEARING CLAMP	51	PULL SPRING
14	ROTOR	52	SCREW
15	BEARING 6200	54	FORE COVER
17	WIND GUARD	55	HEX NUT
18	STATOR	56	RIVING KNIFE
19	HOUSING	57	TOP HANDLE
20	TWIST SPRING	58	DOWN HANDLE
21	FLAT WASHER	59	HEX BOLT
22	CIRCLIP	60	ANGLE ADJUSTMENT BRACKET
23	BRUSH HOLDER	61	RIGHT BRACKET
24	CARBON BRUSH	62	RETAINING RING
25	SCREW	63	HEX SCREW
26	SCREW	64	DEPTH ADJUSTMENT BRACKET
27	REAR COVER	65	LONG WING BOLT
28	SCREW	66	WING BOLT
29	OIL STORAGE RING	67	LEFT BRACKET
30	GEAR BOX	68	RIVET
31	BEARING 629	69	BASE PLATE ASSEMBLY
32	BIG GEAR	70	CONNECTION PIN
33	OUTPUT SHAFT	71	TWIST WASHER
34	BEARING 6204	72	SCREW
35	CIRCLIP	73	WASHER
36	SCREW	74	WING NUT
37	FIXED GUARD	888	HANDLE ASSEMBLE
38	SCREW		